

Chest Freezer Solid Top Chest Freezer 59.5 " Long

ITEM # _____

MODEL # _____

NAME # _____

SIS # _____

AIA # _____



738231 (KCCF170WH)

Solid Top Chest Freezer 59.5
" Long

Short Form Specification

Item No. _____

Solid top chest freezer, 59.5 inches long, with foamed lid and spring hinge closing mechanism to ensure gentle lid closure. Lid lock and key included. Internal and external structure in white painted steel for durable and sleek look. (1) coated wire storage basket, vertical basket divider, NSF thermometer included as standard. Defrost water drain with plug for easy cleaning.

Equipped with NEMA 5-15P plug.

R290 gas in the refrigeration circuit
ETL Safety and Sanitation certifications

Main Features

- Removable gasket for easy cleaning operations.
- Bottom drain with plug for easy interior cleaning and defrost water discharge
- NSF®-Certified Temperature Gauge - Durable and reliable for safety in food storage
- Coated wire basket with vertical divider for convenient and organized storage (1 basket included)
- Mechanical temperature control panel ensures reliable operation and easy adjustment
- Internal temperature display providing clear visibility of operating conditions
- Removable rubber bumper guards for airflow spacing and shock absorption
- Cabinet capable of accepting 18 standard sized 3-gallon ice cream tubs

Construction

- Painted white steel exterior, for durable and sleek finish
- Internal drain for easy clean out.
- Durable white painted steel interior, ensuring easy cleaning and long-lasting performance
- Heavy-duty, locking casters keeps the unit in place but allow position adjusting.
- Even cooling throughout the unit with advanced cold wall technology
- Locking lids and key protect the contents of the unit.
- Spring-assisted hinge mechanism ensures smooth lid opening and controlled closing
- Foamed lid construction provides superior insulation and enhanced structural strength
- Static condenser design enhances efficiency while minimizing moving parts and service requirements

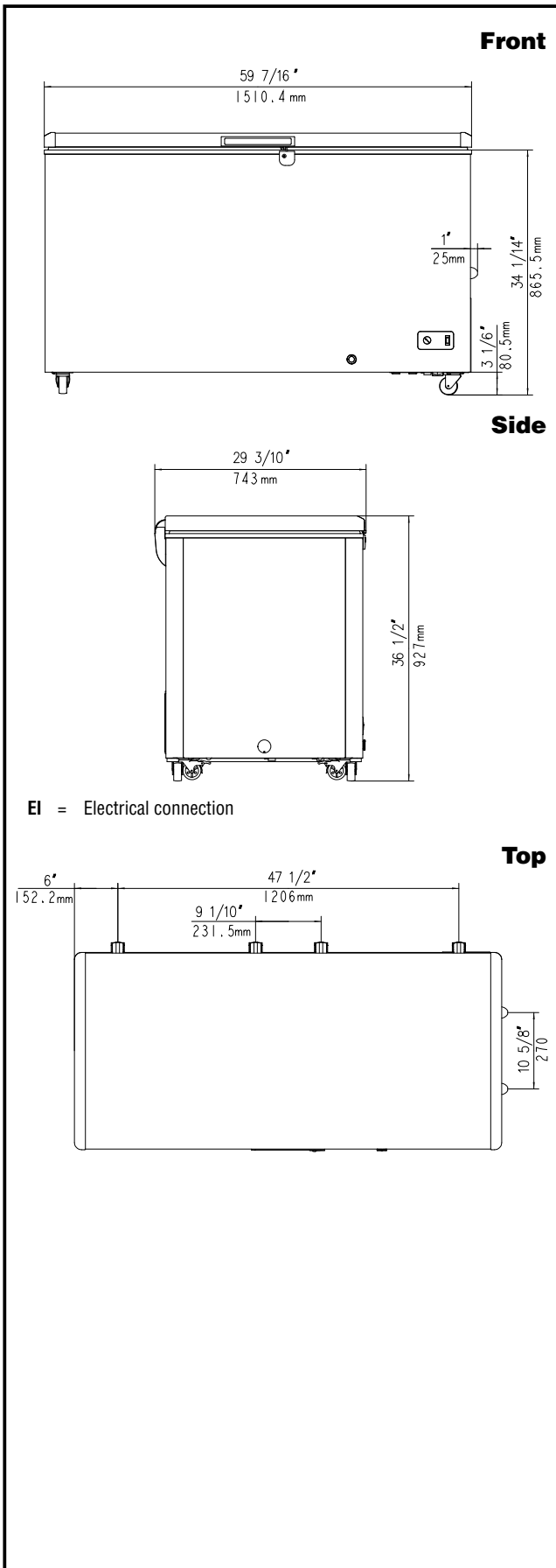
Sustainability

- CFC and HCFC free, highly ecological refrigerant type: R290 (ecological gas in foam: cyclopentane). Hydrocarbon refrigerant gas R290 for the lowest environmental impact (GWP=3), to reduce green house and ozone depletion effects.
- High efficiency components to minimize the energy consumption still guaranteeing the highest performances.
- Hydrocarbon refrigerant gas R290 for the lowest environmental impact (GWP=3) - CFC and HCFC free.
- 70 mm insulation for energy saving

Optional Accessories

- Basket for Solid Top Chest Freezer PNC 882000
22.63x8.15x7.52 in. (575x207x191 mm)

APPROVAL: _____



Electric

Supply voltage:	115 V/1 ph/60 Hz
Electrical power, max:	0.2 kW
Plug type:	USA NEMA 1-15P

Capacity:

Gross capacity:	17.7 cu.feet
-----------------	--------------

Key Information:

Number and type of basket (included):	1 - Vinyl-Coated Wire
Warranty:	1 / 5 years
Temperature control:	Mechanical
External dimensions, Width:	59 7/16" (1510 mm)
External dimensions, Depth:	29 5/16" (744.22 mm)
External dimensions, Height:	36 1/2" (927 mm)
Internal Dimensions (depth):	21 5/8" / (550 mm)
Internal Dimensions (height):	27 4/25" / (690 mm)
Internal Dimensions (width):	53 3/4" / (1366 mm)
Net weight:	170 lbs (77 kg)
Shipping width:	30 1/2" (775 mm)
Shipping height:	42 1/64" (1067 mm)
Shipping weight:	205 lbs (93 kg)
Shipping volume:	46.22 ft ³ (1.31 m ³)
Approvals	ENERGY STAR;ETL C&US;ETL SANITATION

Refrigeration Data

Condenser type:	Static
Temperature display location:	Internal
Operating temperature min.:	-20.2 °F
Compressor power:	1/5 hp
Operating temperature max.:	10.4 °F

Sustainability

Current consumption:	1.9 Amps
Refrigerant type:	R290
GWP Index:	3
Refrigerant weight:	119 g



Chest Freezer
Solid Top Chest Freezer 59.5" Long

The company reserves the right to make modifications to the products without prior notice. All information correct at time of printing.